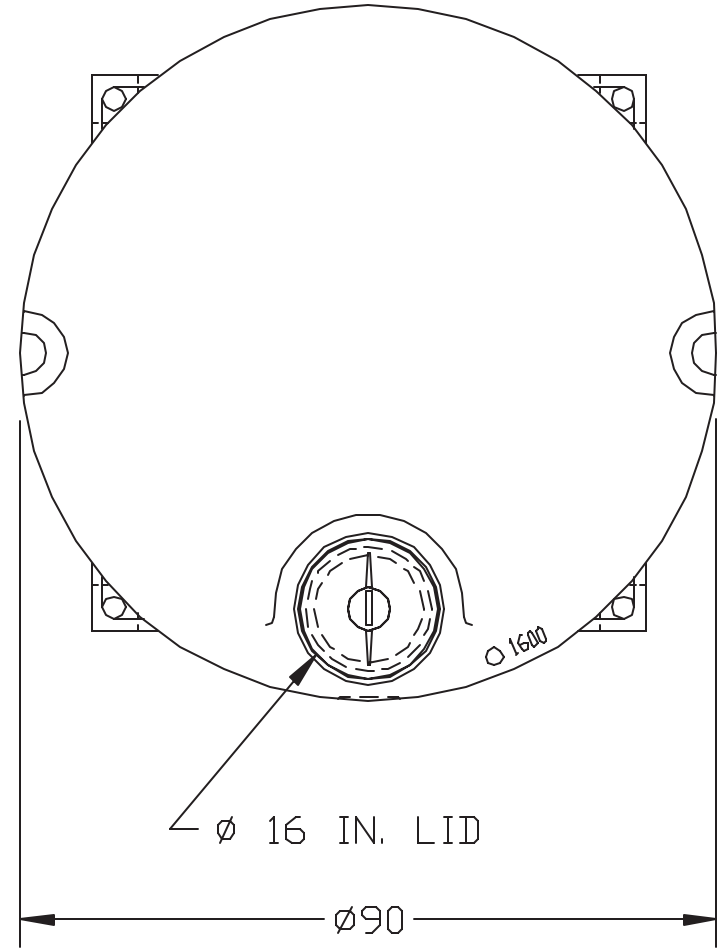


SIDE VIEW

STAND PART NO. ST90DIA-30DEG  
TANK PART NO. TCB1600GAL-PE-90DIA



TOP VIEW

DRAWN		DATE		MATERIAL		<p><b>CSI</b> ChemIndustrial Systems, Inc. PO Box 500, Cedarburg, WI 53012 262-375-8570 • (Fax) 262-375-8559 • info@chemindustrial.com PART NO. TCB1600GAL-PE-90DIA, ST90DIA-30DEG</p>	
EVAN		6-21-95		POLYETHYLENE			
APPROVED		DATE					
REV	DESCRIPTION	DATE	APVD	THIRD ANGLE PROJECTION		PART WEIGHT	
SCALE NONE						TANK= 284 LBS.	
UDS DIMENSIONS ARE IN INCHES GENERAL TOLERANCES ± .5% @ 68° F						STAND= 640 LBS.	
				SIZE		REV	
				A		DWG NO. TCB1600GAL-PE-90DIA	