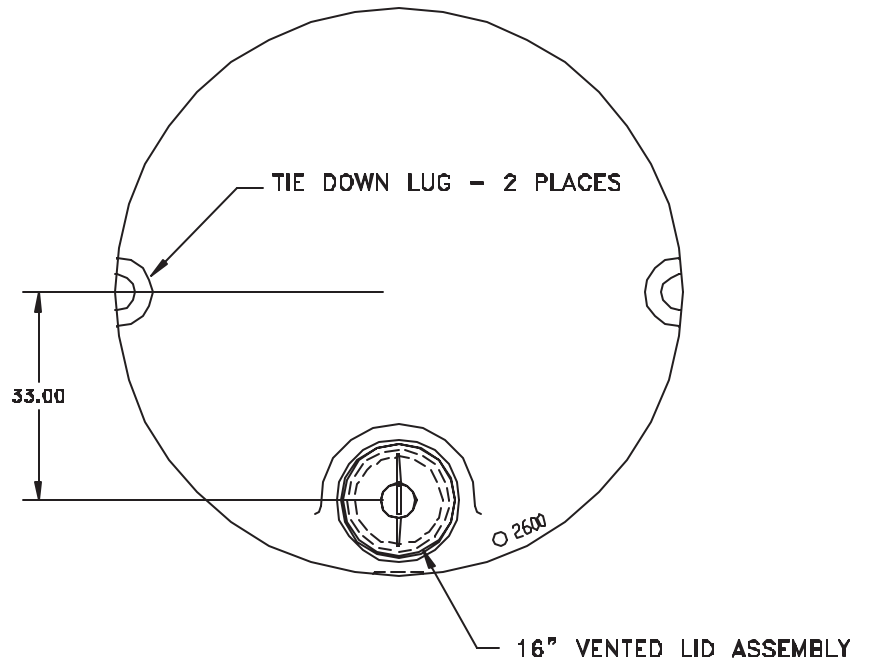


GAL. INDICATORS IN 250 GAL. INCREMENTS



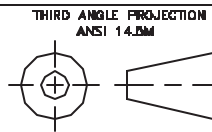
REV	DESCRIPTION	DATE	APPRD

DRAWN / DATE	REH/2/28/99
APPRD. / DATE	REH/2/28/99

MATERIAL / SHOT WEIGHT			
M111	M134	U625	P938
500			

NOTES:

ALL DIMENSIONS ARE IN DECIMAL INCHES  
 TOLERANCES UNLESS OTHERWISE SPECIFIED  
 ± .5% @ 68° F



**CSI**  
 ChemIndustrial Systems, Inc.  
 PO Box 500, Cedarburg, WI 53012  
 262-375-8570 • (Fax) 262-375-8559 • info@chemindustrial.com

SCALE	N.S.	PART NO.	TCB2600GAL-PE-90DIA
-------	------	----------	---------------------