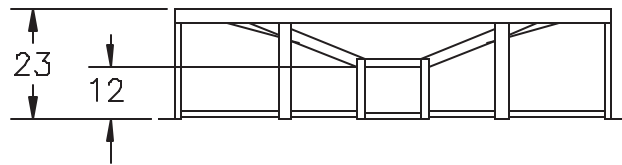
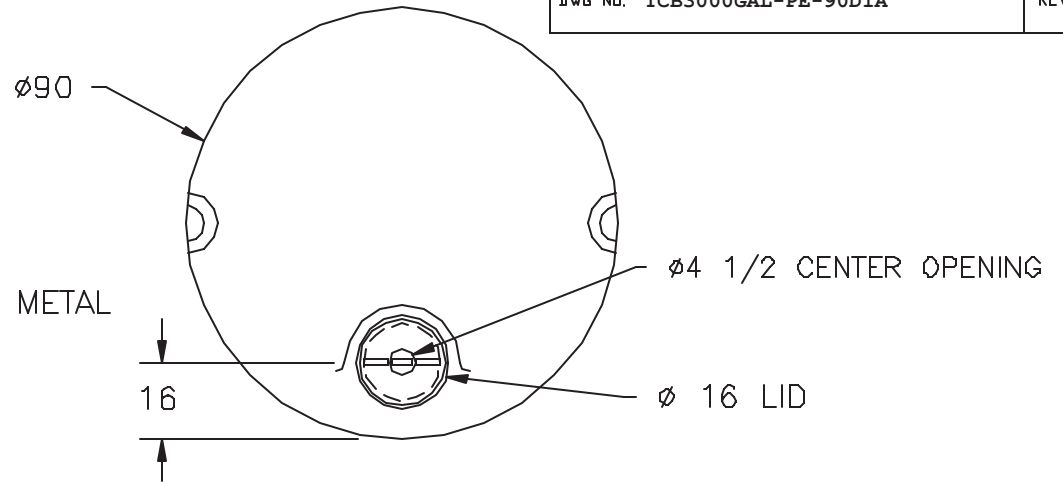
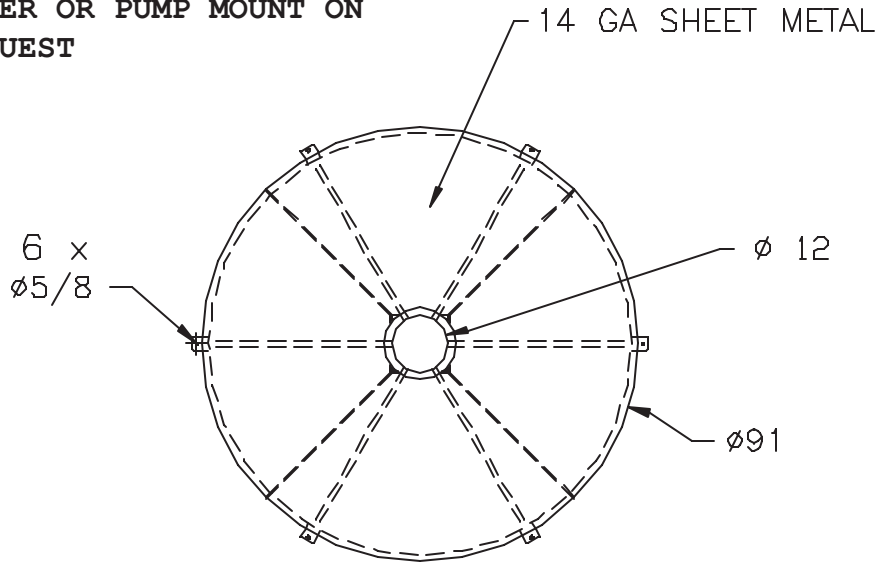
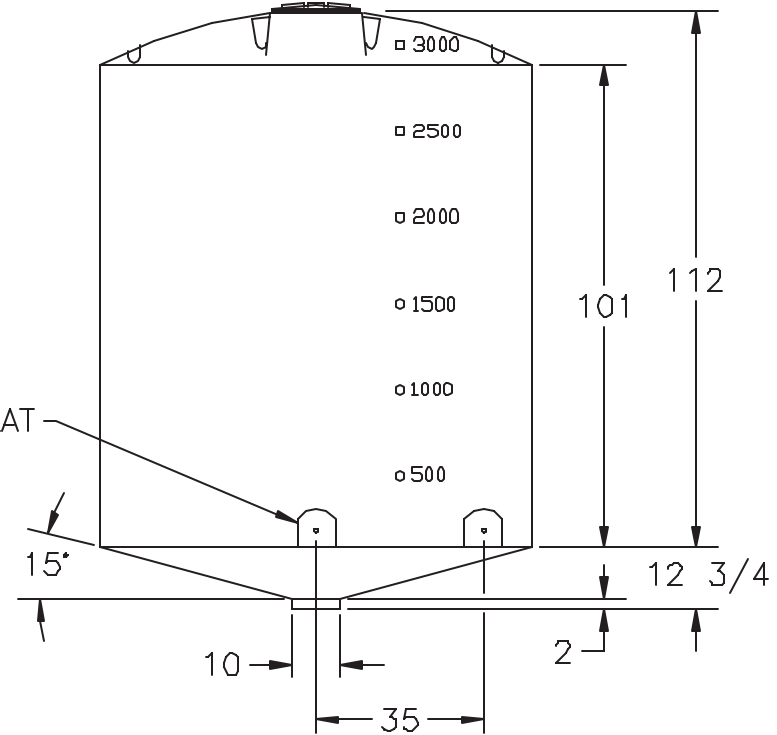



1. SPECIFIC GRAVITY IS 1.75
2. 1 PIECE ROTATIONALLY MOLDED
3. TRANSLUCENT
4. FDA APPROVED RESIN
5. CALIBRATED IN GALLONS
6. UV STABILIZED
7. MIXER OR PUMP MOUNT ON REQUEST



STAND PART NO. ST90-DIA-15DEG  
 TANK PART NO. TCB3000GAL-PE-90DIA

9 x 9 FLAT (X2)



DRAWN <b>EVAN</b>		DATE 9-13-94		MATERIAL <b>POLYETHYLENE</b>		 <b>ChemIndustrial Systems, Inc.</b> PO Box 500, Cedarburg, WI 53012 262-375-8570 • (Fax) 262-375-8559 • info@chemindustrial.com PART NO. TCB3000GAL-PE-90DIA, ST90DIA-15DEG	
APPROVED		DATE					
REV	DESCRIPTION	DATE	APVD	PART WEIGHT <b>550 LBS.</b>		SIZE <b>A</b>	DWG NO. <b>TCB3000GAL-PE-90DIA</b>
SCALE <b>NONE</b>				THIRD ANGLE PROJECTION		REV	
UDS DIMENSIONS ARE IN INCHES GENERAL TOLERANCES ± .5% @ 68° F				