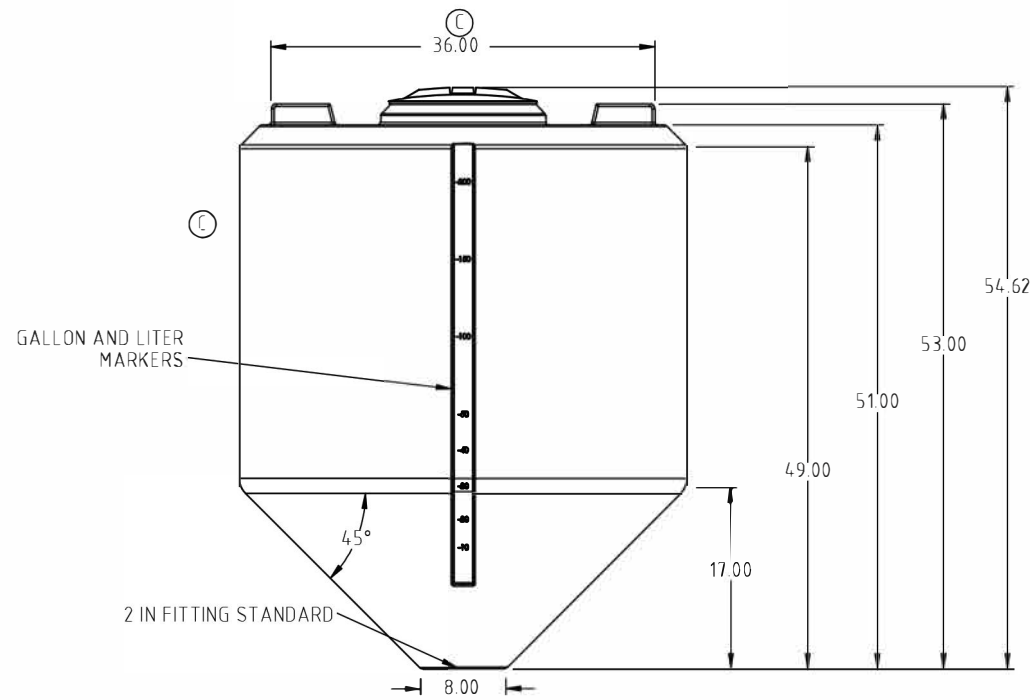
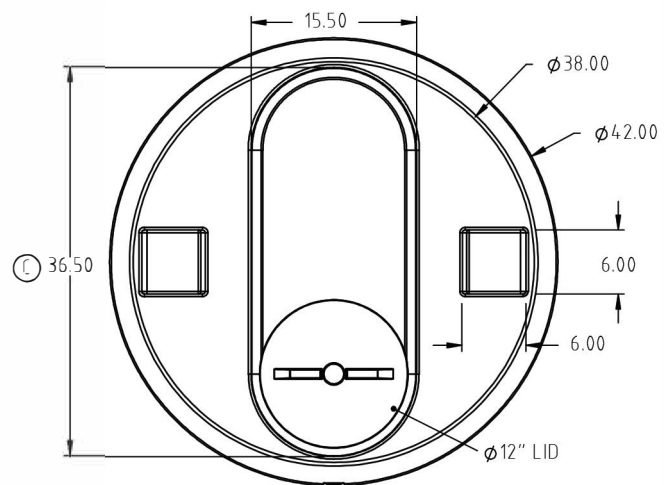
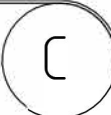


← GO BACK

MTCEB200GAL-PE-42DIA-FT



C	REMOVE RIB, DIMENSIONS/ DRAWING TEMPLATE UPDATED	DHJ 5/25/12	2427	DRAWN / DATE	MATERIAL
B	UPDATED SUMP AND HEIGHT DIMS.	NVE 6/30/06		8/27/97	HDPE OR EQUIVALENT REFERENCE MATERIAL DATA SHEET FOR SPECIFIC PROPERTIES.
A	ISOLATED STAND AND TANK	NVE 5/12/06		APPRD. / DATE	
REV	DESCRIPTION	BY / DATE	CCN	4/18/07	
ALL DIMENSIONS ARE IN DECIMAL INCHES TOLERANCES UNLESS OTHERWISE SPECIFIED		THIRD ANGLE PROJECTION ANSI 14.5M		SHOT WEIGHT:	NOTES: 1.) NOM. WALL @ .302
POLYETHYLENE	METAL	SHIPPING WEIGHT:		75.00 LBS.	
±1% @ 68°F	DECIMAL ± .125" FRACTION ± 1/4" ANGLE ± 1°	FINISH:			



ChemIndustrial Systems, Inc.
 PO Box 500, Cedarburg, WI 53012
 262-375-8570 • (Fax) 262-375-8559 • info@chemindustrial.com

DESCRIPTION	200 GALLON CONE BOTTOM TANK	
SCALE	N.S.	PART NO.
		MTCEB200GAL-PE-42DIA-FT