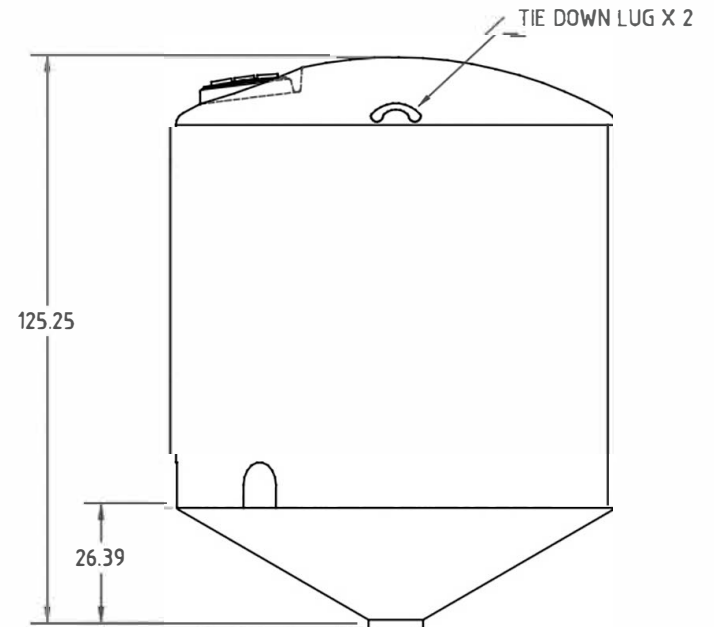
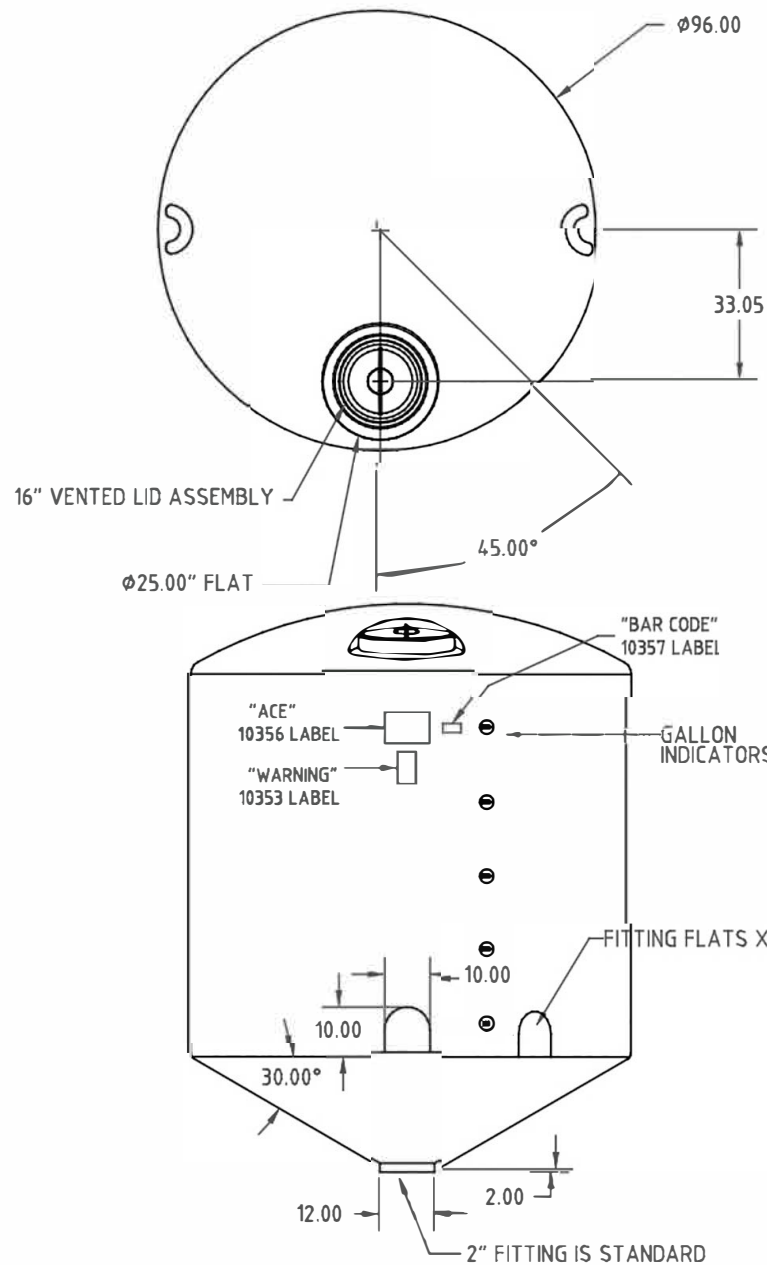


← GO BACK

MTECEB3000GAL-PE-96DIA -DT



DRAWN / DATE DHJ 8/13/09		MATERIAL MDPE OR EQUIVALENT REFERENCE MATERIAL DATA SHEET FOR SPECIFIC PROPERTIES.	
APPRD. / DATE REH 10/10/09		NOTES: 1. .42 WALL AT SIDE SUMP	
REV	DESCRIPTION	BY / ADE	C & I
ALL DIMENSIONS ARE IN DECIMAL INCHES TOLERANCES UNLESS OTHERWISE SPECIFIED		THIRD ANGLE PROJECTION ANSI 14.5M	
POLYETHYLENE		METAL	
±1% @ 68° F		DECIMAL ± .125" FRACTION ± 1/4" ANGLE ± 1°	
SHOT WEIGHT: 550		FINISH:	
SHIPPING WEIGHT: 552			



ChemIndustrial Systems, Inc.
 PO Box 500, Cedarburg, WI 53012
 262-375-8570 • (Fax) 262-375-8559 • info@chemindustrial.com

DESCRIPTION 3000 GALLON 30° CONE BOTTOM TANK	
SCALE N.S.	PART NO. MTECEB3000GAL-PE-96DIA -DT