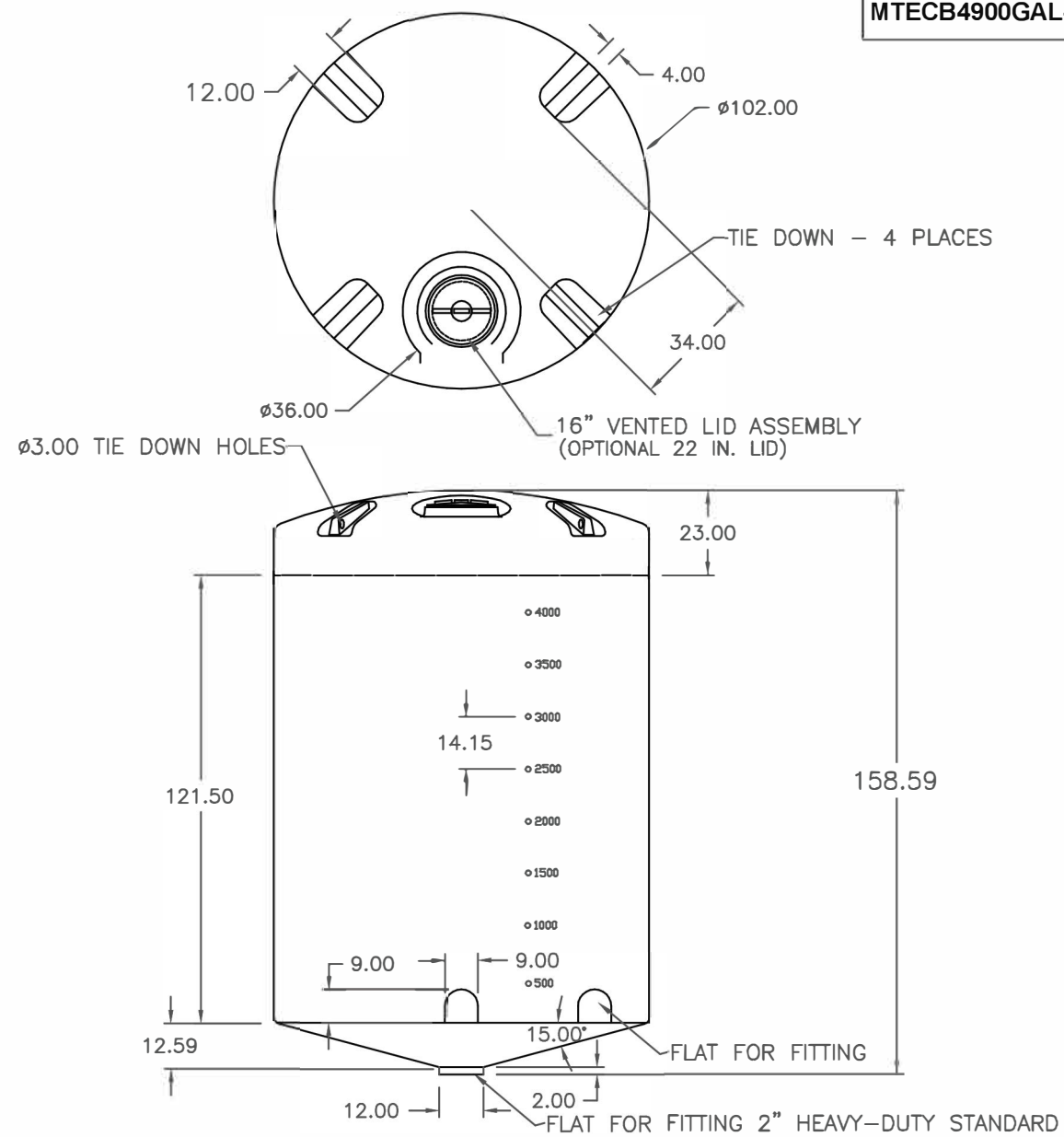


← GO BACK

**CSI**ChemIndustrial Systems, Inc.
PO Box 500, Cedarburg, WI 53012

262-375-8570 • (Fax) 262-375-8559 • info@chemindustrial.com

CLIENT / DESCRIPTION

4900 GALLON ∅102" 15° CONE BOTTOM TANK

SCALE

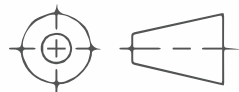
N.S.

PART NO.

MTECB4900GAL-PE-102DIA -DT

DRAWN / DATE
DHJ 4/14/04

MATERIAL

HDPE OR EQUIVALENT
REFERENCE MATERIAL DATA SHEET
FOR SPECIFIC PROPERTIES.APPRD. / DATE
REH 4/18/07THIRD ANGLE PROJECTION
ANSI 14.5M

NOTES:

1. YELLOW OR WHITE COLOR
2. SHOT WEIGHT 1300 LBS.

ALL DIMENSIONS ARE IN DECIMAL INCHES
TOLERANCES UNLESS OTHERWISE SPECIFIED

± 1% @ 68° F

REV	DESCRIPTION	DATE	APPRD
A	FINALIZED DRAWING	12/2/04	