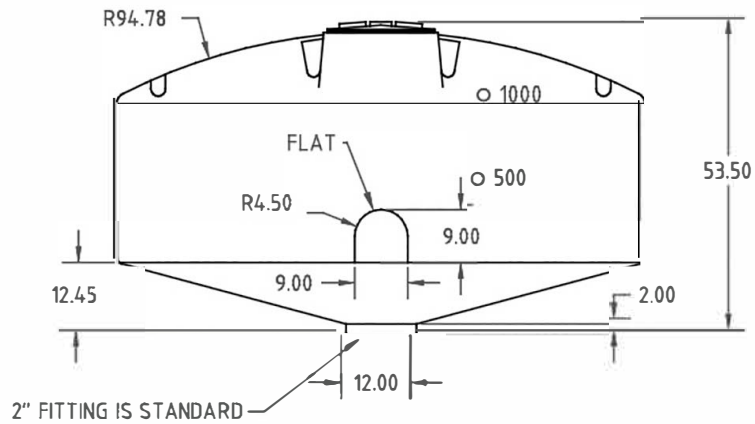
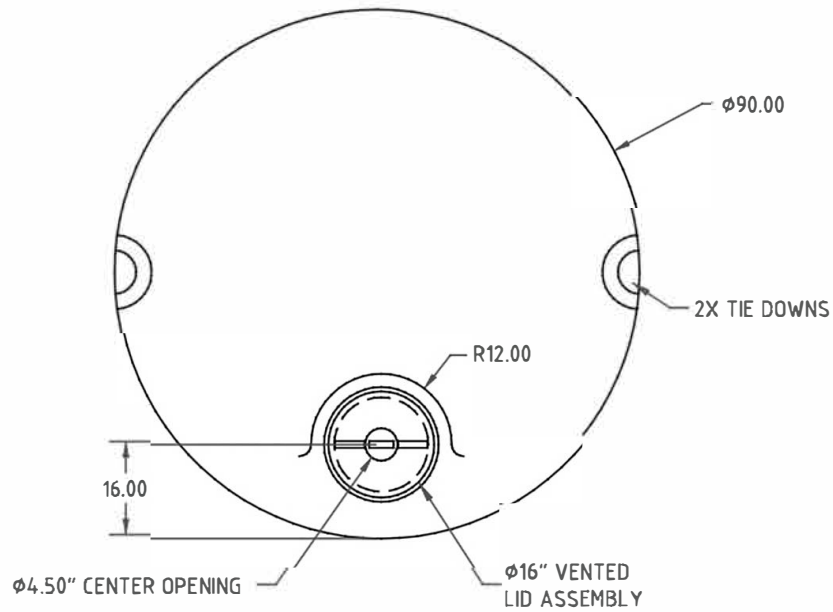




← GO BACK



				DRAWN / DATE DHJ 10/31/08	MATERIAL 10420 3 MELT	 <b>ChemIndustrial Systems, Inc.</b> PO Box 500, Cedarburg, WI 53012 262-375-8570 • (Fax) 262-375-8559 • info@chemindustrial.com
				APPRD. / DATE REH 4/24/09		
REV	DESCRIPTION	BY / DATE	CCN			
ALL DIMENSIONS ARE IN DECIMAL INCHES TOLERANCES UNLESS OTHERWISE SPECIFIED POLYETHYLENE $\pm 1\%$ @ 68° F		THIRD ANGLE PROJECTION ANSI 14.5M 		SHOT WEIGHT: 210 LBS. SHIPPING WEIGHT: 212 LBS. FINISH:	NOTES: 1. .28 WALL	