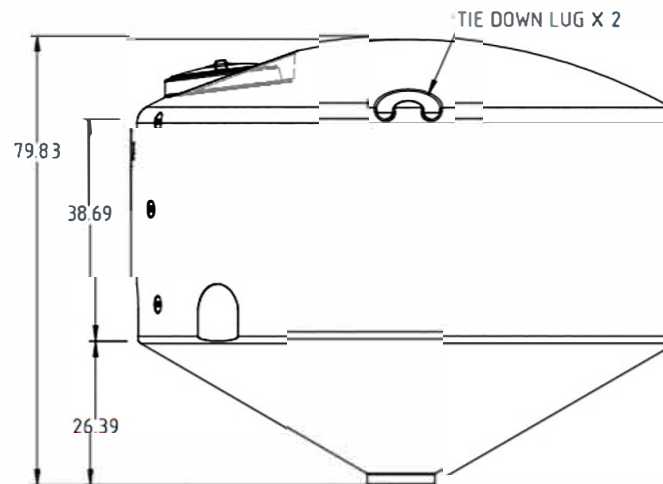
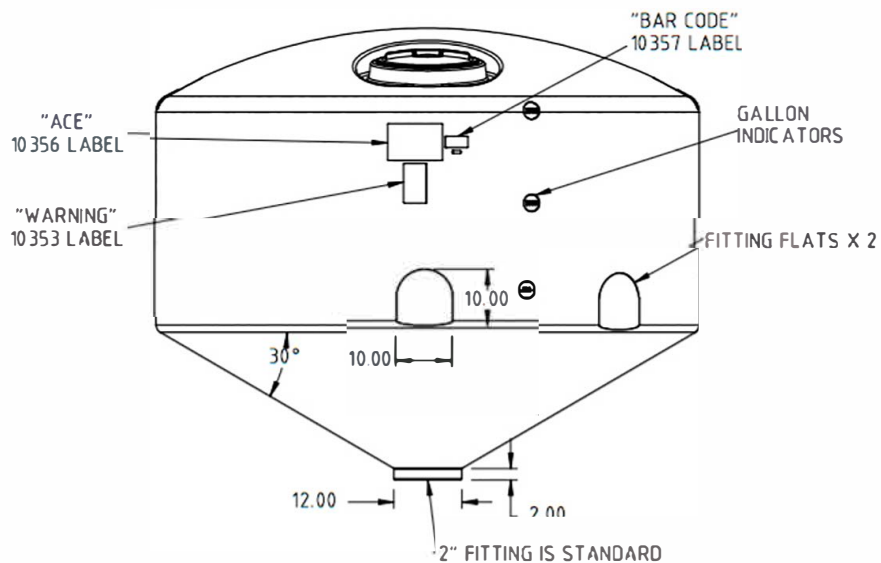
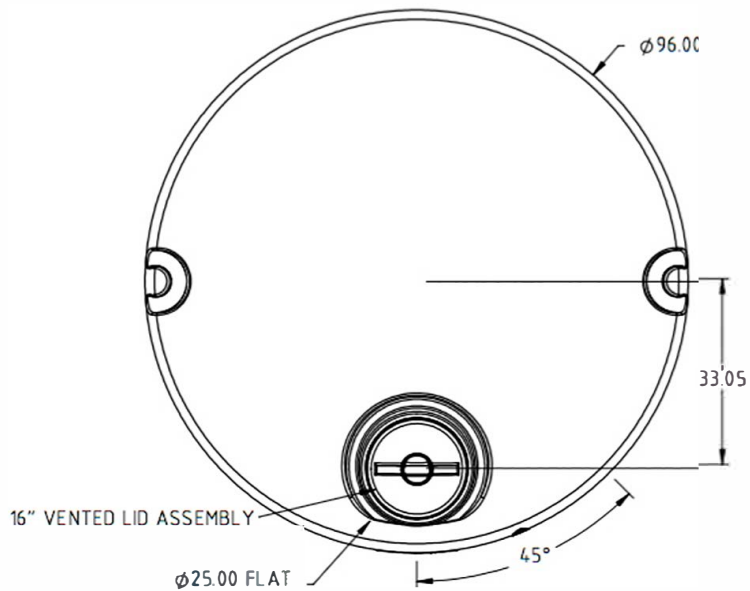


← GO BACK



DRAWN / DATE
DHJ 12/19/13

MATERIAL
POLYETHYLENE
REFERENCE MATERIAL
DATA SHEET FOR
SPECIFIC PROPERTIES.

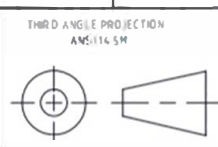
APPROVED / DATE
REH 6/5/14

REV	DESCRIPTION	BY / DATE	CCN

ALL DIMENSIONS ARE IN DECIMAL INCHES
TOLERANCES UNLESS OTHERWISE SPECIFIED

POLYETHYLENE	METAL DECIMAL $\pm .125"$ FRACTION $\pm 1/4"$ ANGLE $\pm 1^\circ$
--------------	--

$\pm 1\%$ @ 68° F



SHOT WEIGHT: 250.00 LBS
SHIPPING WEIGHT: 252.00 LBS
FINISH:

NOTES:
1) .250 WALL AT SIDE SUMP

CSI

ChemIndustrial Systems, Inc.
PO Box 500, Cedarburg, WI 53012

262-375-8570 • (Fax) 262-375-8559 • info@chemindustrial.com

DESCRIPTION	1500 GALLON 30° CONE BOTTOM TANK	
SCALE	N.S.	PART NO. MTECB-D1500GAL-PE-96DIA-DT