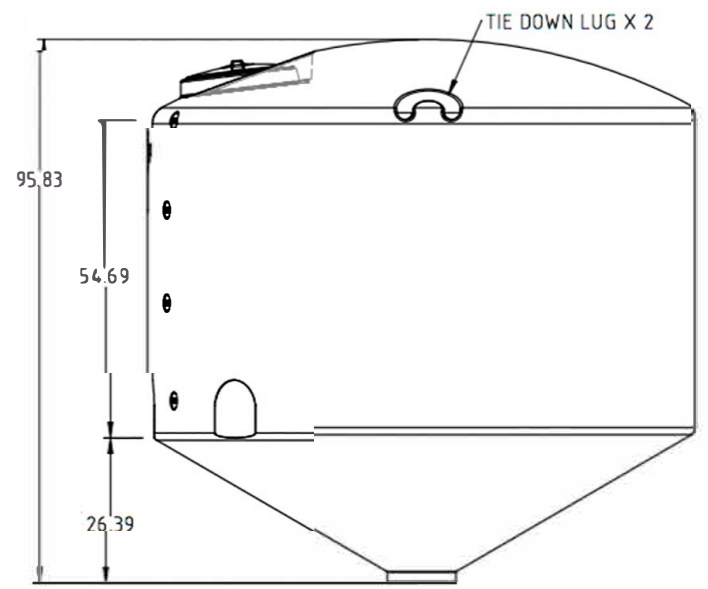
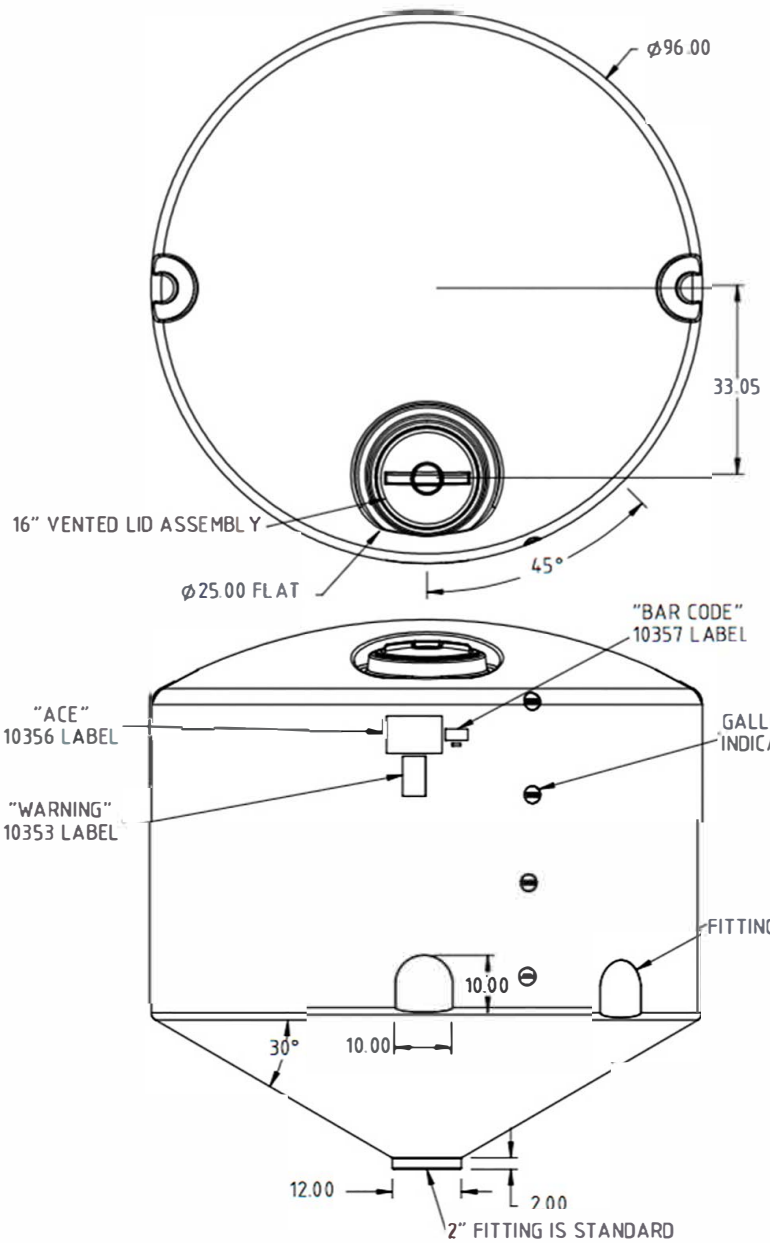


← GO BACK

MTECB-2000GAL-PE-96DIA-DT

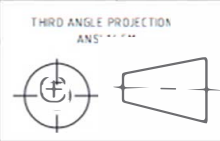


REV	DESCRIPTION	BY / DATE	CCN

DRAWN / DATE DHJ 12/17/13
APPROV / DATE REH 6/5/14
SHOT WEIGHT: 290.00 LBS
SHIPPING WEIGHT: 292.00 LBS
FINISH:

MATERIAL POLYETHYLENE REFERENCE MATERIAL DATA SHEET FOR SPECIFIC PROPERTIES.
NOTES: 1) 0.280 WALL AT SIDE SUMP

 <b>ChemIndustrial Systems, Inc.</b> PO Box 500, Cedarburg, WI 53012 262-375-8570 • (Fax) 262-375-8559 • info@chemindustrial.com	
DESCRIPTION	2000 GALLON 30° CONE BOTTOM TANK
SCALE	N.S.
PART NO.	MTECB-2000GAL-PE-96DIA-DT



ALL DIMENSIONS ARE IN DECIMAL INCHES  
TOLERANCES UNLESS OTHERWISE SPECIFIED

POLYETHYLENE  
±1% @ 68°F

METAL  
DECIMAL ± .125"  
FRACTION ± 1/4"  
ANGLE ± 1°