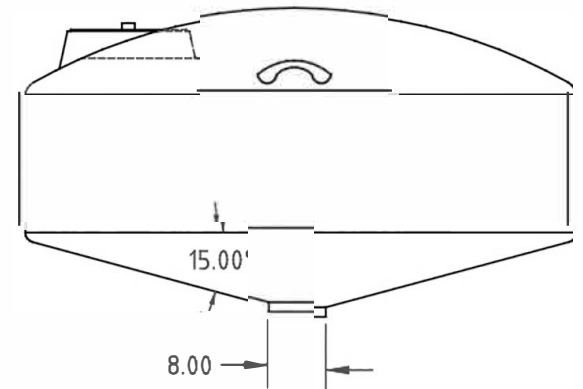
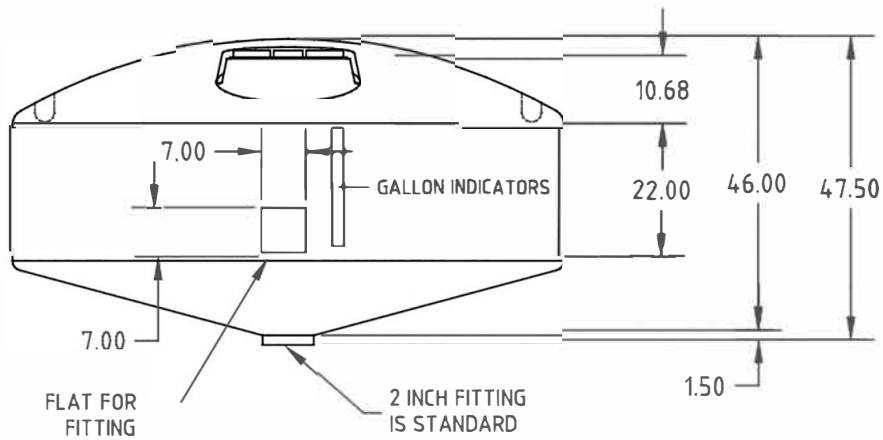
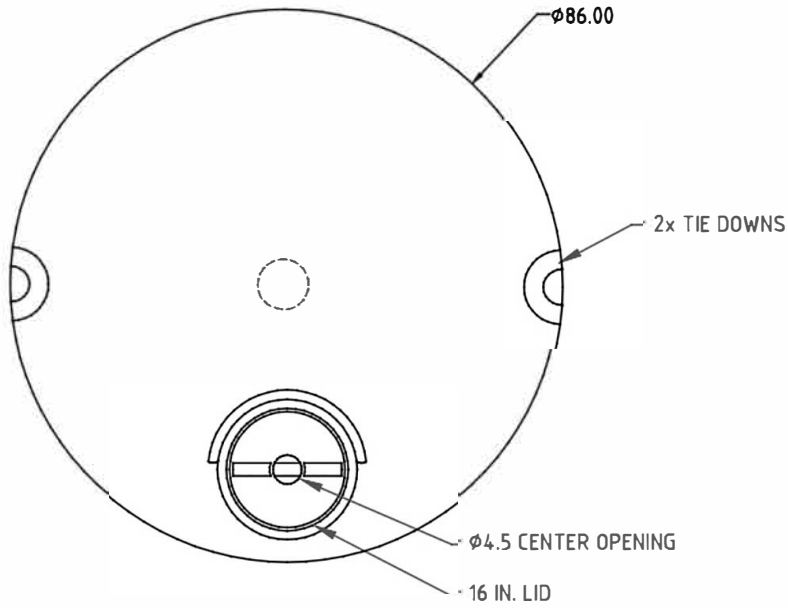


← GO BACK



		DRAWN / DATE DHJ 10/27/09		MATERIAL POLYETHYLENE		<p style="text-align: center;"><b>CSI</b> ChemIndustrial Systems, Inc. PO Box 500, Cedarburg, WI 53012 262-375-8570 • (Fax) 262-375-8559 • info@chemindustrial.com</p>	
		APPRD. / DATE REH 11/2/09					
REV	DESCRIPTION	BY / DATE	CCN	NOTES: 1. 25 WALL			
ALL DIMENSIONS ARE IN DECIMAL INCHES TOLERANCES UNLESS OTHERWISE SPECIFIED		THIRD ANGLE PROJECTION ANSI 14.5M		SHOT WEIGHT: 180 LBS.		SCALE	N.S.
POLYETHYLENE		METAL		SHIPPING WEIGHT: 182 LBS.		PART NO.	MTECB-D800GAL-PE-86DIA -DT
$\pm 1\%$ @ 68° F		DECIMAL $\pm .125"$ FRACTION $\pm 1/4"$ ANGLE $\pm 1^\circ$		FINISH:			