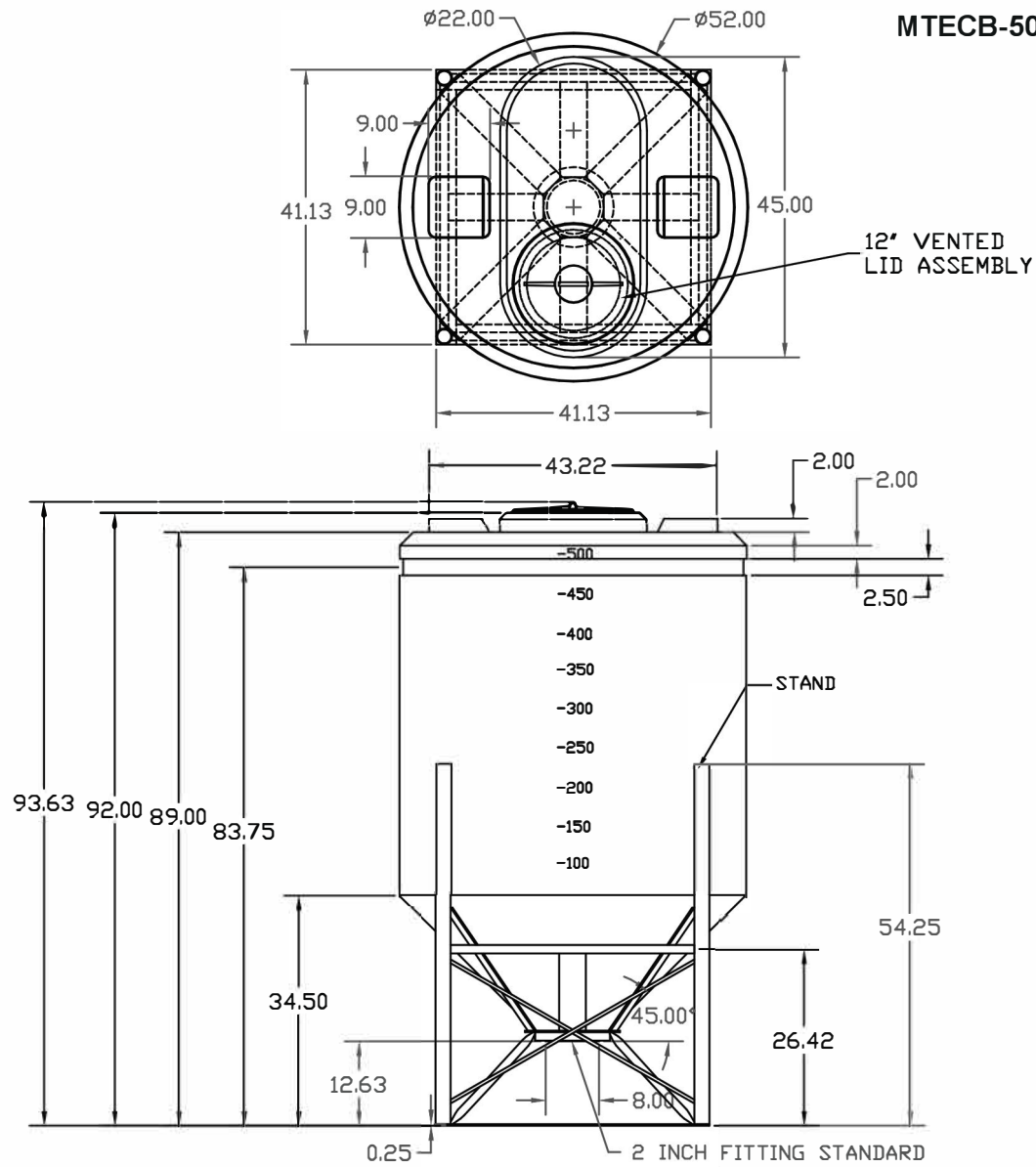


← GO BACK

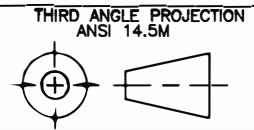
MTECB-500GAL-PE-52DIA-FT

B



REV	DESCRIPTION	DATE	APPRD	DRAWN / DATE	MATERIAL
B	REMOVE TOL. 1% @ 68° F	3/9/07	GWC	REH 08/06/01	TANK: HDPE OR EQUIVALENT STAND: MILD STEEL
A	PN PREVIOUSLY CB0500-52	5/17/06	NVE	APPRD. / DATE REH 08/06/01	

ALL DIMENSIONS ARE IN DECIMAL INCHES  
TOLERANCES UNLESS OTHERWISE SPECIFIED



NOTES:  
1. TANK WEIGHT 130 LBS.  
2. STAND WEIGHT 174 LBS.

**CSI**

ChemIndustrial Systems, Inc.  
PO Box 500, Cedarburg, WI 53012  
262-375-8570 • (Fax) 262-375-8559 • info@chemindustrial.com

CLIENT / DESCRIPTION  
500 GALLON CONE BOTTOM TANK AND STAND

SCALE N.S. PART NO. MTECB-500GAL-PE-52DIA-FT