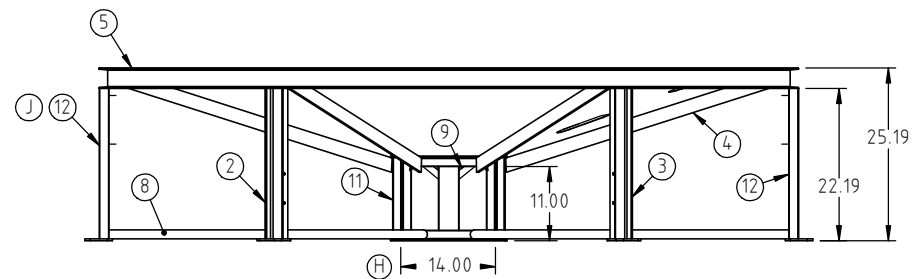
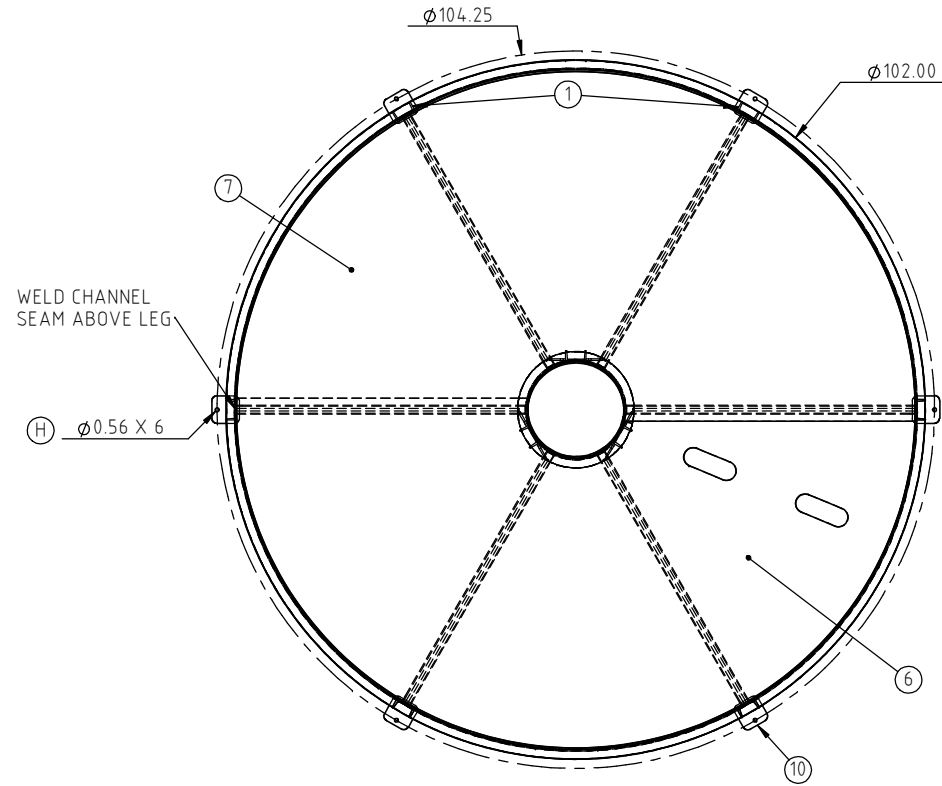


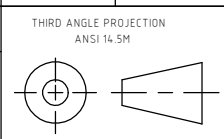
KEY	PART NUMBER	DESCRIPTION	QTY.
1	CB102-15ST-1	CHANNEL LEG	2
2	CB102-15ST-2	CHANNEL LEG - LEFT	1
3	CB102-15ST-3	CHANNEL LEG - RIGHT	1
4	CB102-15ST-4	TANK SUPPORT STRAP	6
5	CB102-15ST-5	CHANNEL RING	1
6	12478	PAN,CB10215ST, W/HOLES	1
7	12479	PAN,CB102-15ST	1
8	CB102-15ST-8	BASE PIPE	6
9	12515	GUESSET	6
10	12750	1/4" X 4" X 4" LEG PAD	6
11	12517	CENTER STAND	1
12	CB102-15ST-9	CHANNEL LEG- POWDER COAT	2



J	Holes for powder coating added to two legs component table updated.	ADH 7/22/11	2254
I	Component table updated, tube shortened 0.13" pan hole adjusted 0.25"	ADH 7/2/10	2051
H	MATERIAL P.N. CORRECTED 12750 WAS SJC86/90ST-7 Ø0.56 WAS Ø0.63, DIMENSION, WEIGHT AND FINISH ADDED.	ADH 1/29/10	1995
G	12517 WAS RAR-14 & CB102-15ST-10	ADH 12/7/07	1542
F	12515 WAS CB102-15ST-9	ADH 11/20/07	1528
E	PAN BOM INFORMATION UPDATED	ADH 8/30/07	1443
D	TOLERANCE WAS 1% @ 68°F	GWC 3/8/07	
C	ADD B.O.M.	NVE 6/11/06	
B	ADD SUMP CLEARANCE DIM	6/30/05	
A	ADD 1" TO OUTSIDE HEIGHT	12/1/04	
REV	DESCRIPTION	BY / DATE	CCN

DRAWN / DATE	MATERIAL
ADH 7/6/07	
APPROD. / DATE	
REH 7/18/07	

ALL DIMENSIONS ARE IN DECIMAL INCHES TOLERANCES UNLESS OTHERWISE SPECIFIED	
POLYETHYLENE ±1% @ 68°F	METAL DECIMAL ± .125" FRACTION ± 1/4" ANGLE ± 1°



SHOT WEIGHT:	NOTES:
SHIPPING WEIGHT: 64.00 LBS	
FINISH: POWDER COATING, BLACK TILE, 40012	

CSI
ChemIndustrial Systems, Inc.
PO Box 500, Cedarburg, WI 53012
262-375-8570 • (Fax) 262-375-8559 • info@chemindustrial.com

DESCRIPTION	STAND FOR Ø102" 15° CONE BOTTOM TANK
SCALE	N.S.
PART NO.	ST102-15-STEEL