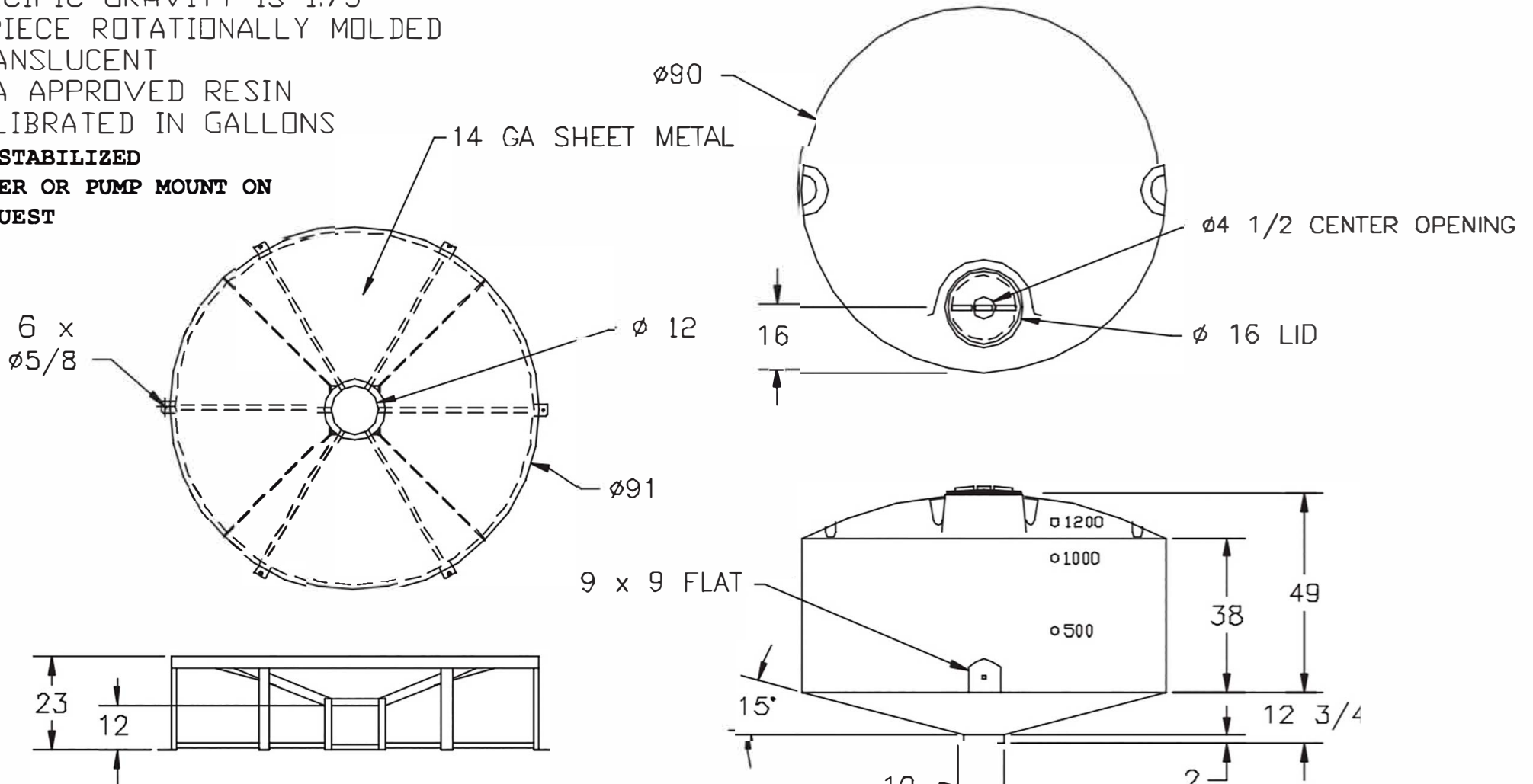

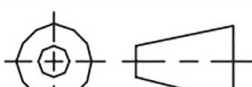


← GO BACK

1. SPECIFIC GRAVITY IS 1.75
2. 1 PIECE ROTATIONALLY MOLDED
3. TRANSLUCENT
4. FDA APPROVED RESIN
5. CALIBRATED IN GALLONS
6. UV STABILIZED
7. MIXER OR PUMP MOUNT ON REQUEST



STAND PART NO. ST90DIA-15DEG
 TANK PART NO. TCB1200GAL-PER-90DIA

				DRAWN DEAN	DATE 3-2-95	MATERIAL POLYETHYLENE		 ChemIndustrial Systems, Inc. PO Box 500, Cedarburg, WI 53012 262-375-8570 • (Fax) 262-375-8559 • info@chemindustrial.com PART NO. TCB1200GAL-PE-90DIA, ST90DIA-15DEG	
				APPROVED	DATE	PART WEIGHT 225 LBS.			
REV	DESCRIPTION	DATE	APVD	THIRD ANGLE PROJECTION		SIZE A		DWG NO. MTECB1200GAL-PE-90DIA -DT	
SCALE NONE						UDS DIMENSIONS ARE IN INCHES GENERAL TOLERANCES ± .5% @ 68° F		REV	