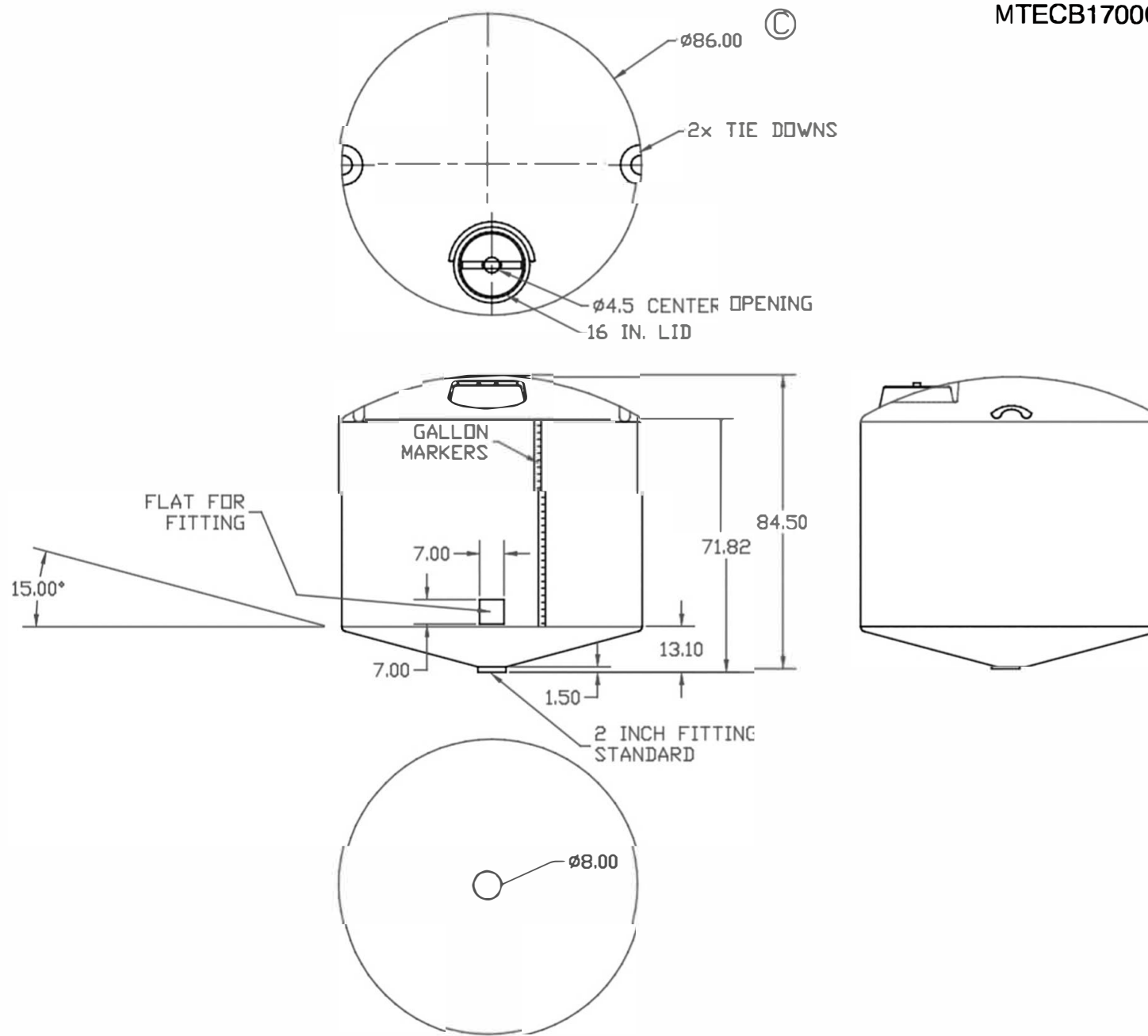


← GO BACK

MTECB1700GAL-PE-86DIA-DT



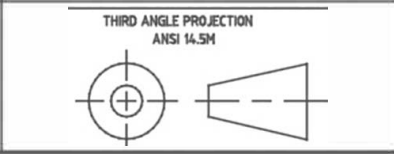
C	DIA WAS 85, WEIGHT WAS 300 LBS	7/31/06	NVE	DRAWN / DATE
B	UPDATE DIMENSIONS	5/29/06	NVE	DHJ 7/11/03
A	CHANGE WEIGHT TO 300	9/12/05		APPRD. / DATE
REV	DESCRIPTION	DATE	APPRD	

MATERIAL
HDPE OR EQUIVALENT REFERENCE MATERIAL DATA SHEET FOR SPECIFIC PROPERTIES.

NOTES:
1. WHITE OR YELLOW COLOR 2. SHOT WEIGHT 284 LBS.

CSI
ChemIndustrial Systems, Inc.
 PO Box 500, Cedarburg, WI 53012
 262-375-8570 • (Fax) 262-375-8559 • info@chemindustrial.com

ALL DIMENSIONS ARE IN DECIMAL INCHES
 TOLERANCES UNLESS OTHERWISE SPECIFIED
 ± 1% @ 68° F



SCALE N.S.

PART NO.
MTECB1700GAL-PE-86DIA-DT