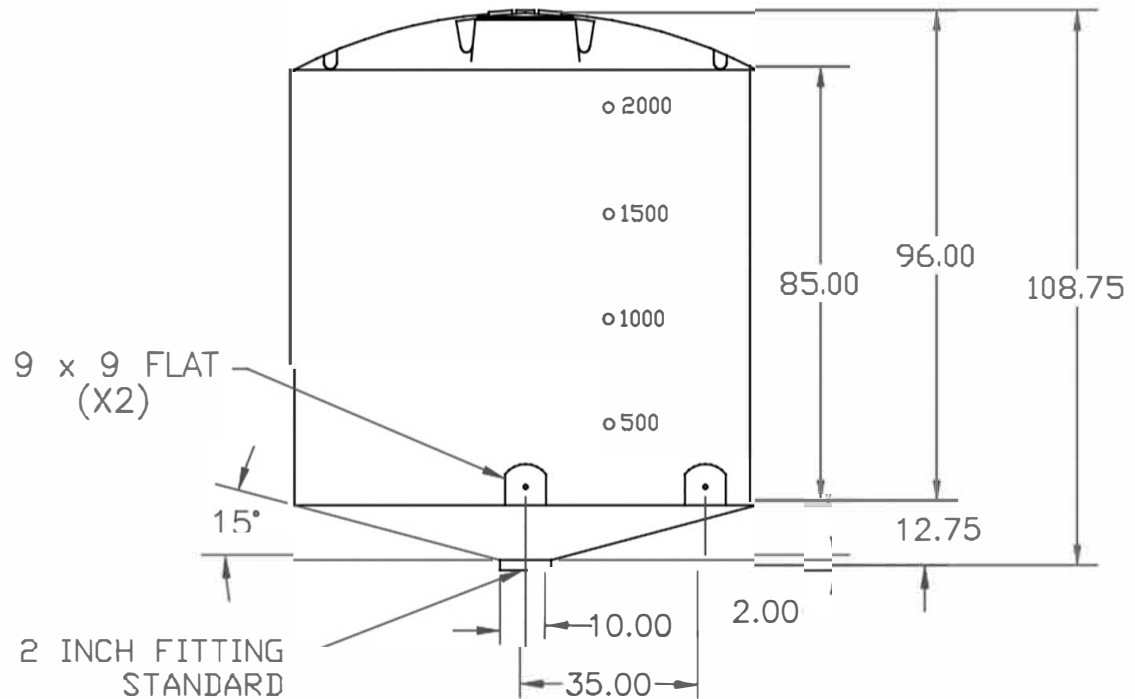
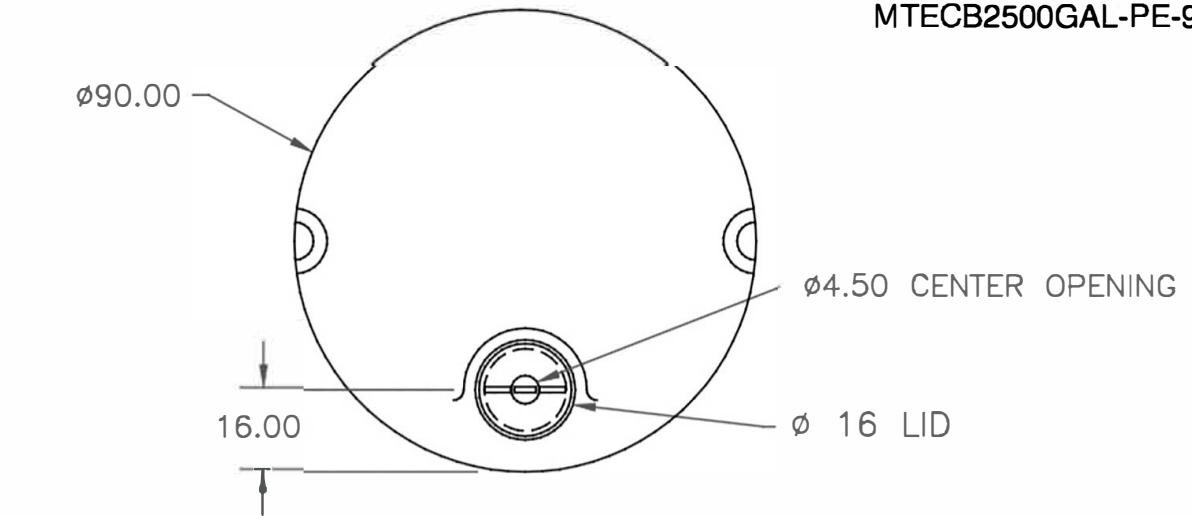


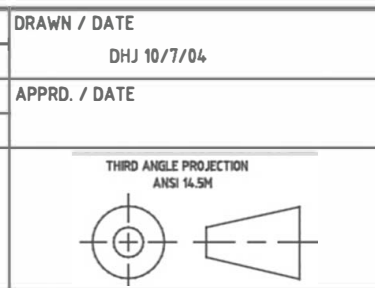
← GO BACK

MTECB2500GAL-PE-90DIA-DT



| | | | | |
|-----|--------------------------|---------|-------|-----------------------------|
| | | | | DRAWN / DATE DHJ 10/7/04 |
| A | ISOLATED TANK FROM STAND | 6/13/06 | NVE | APPRD. / DATE |
| REV | DESCRIPTION | DATE | APPRD | |

ALL DIMENSIONS ARE IN DECIMAL INCHES
TOLERANCES UNLESS OTHERWISE SPECIFIED
± 1% @ 68° F



MATERIAL
HDPE OR EQUIVALENT
REFERENCE MATERIAL DATA SHEET
FOR SPECIFIC PROPERTIES.

NOTES:
1. SHOT WEIGHT 435 LBS.

CSI
ChemIndustrial Systems, Inc.
PO Box 500, Cedarburg, WI 53012
262-375-8570 • (Fax) 262-375-8559 • info@chemindustrial.com

SCALE: N.S. PART NO. MTECB2500GAL-PE-90DIA-DT