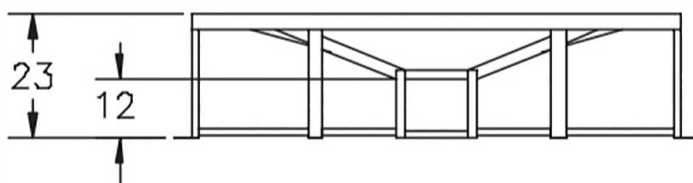
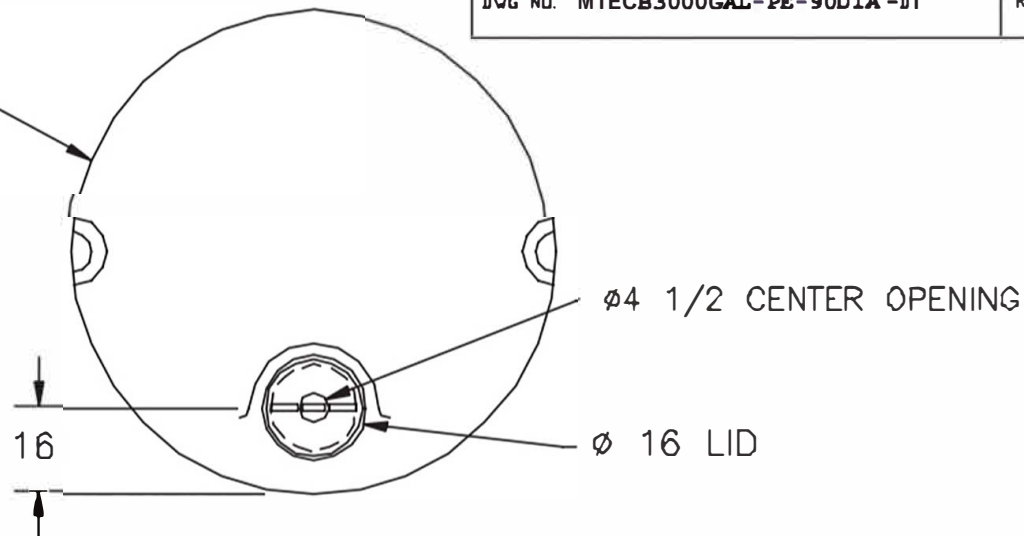
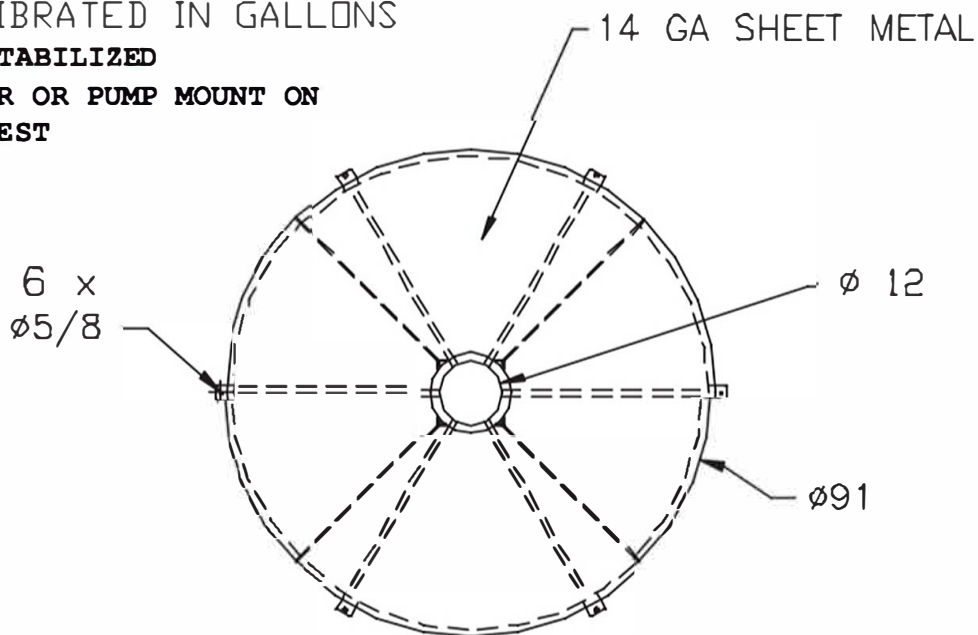


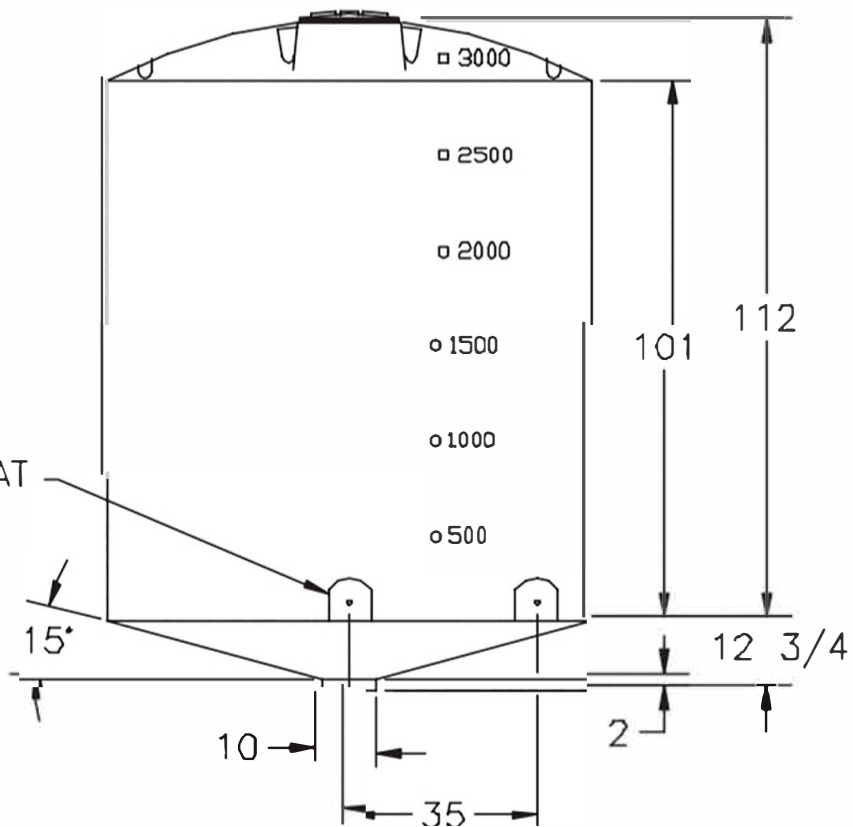
← GO BACK

1. SPECIFIC GRAVITY IS 1.75
2. 1 PIECE ROTATIONALLY MOLDED
3. TRANSLUCENT
4. FDA APPROVED RESIN
5. CALIBRATED IN GALLONS
6. **UV STABILIZED**
7. **MIXER OR PUMP MOUNT ON REQUEST**



STAND PART NO. ST90-DIA-15DEG
TANK PART NO. TCB3000GAL-PE-90DIA

9 x 9 FLAT (X2)



DRAWN **EVAN** DATE 9-13-94

APP ROVED DATE

MATERIAL
POLYETHYLENE

CSI

ChemIndustrial Systems, Inc.

PO Box 500, Cedarburg, WI 53012

262-375-8570 • (Fax) 262-375-8559 • info@chemindustrial.com
 PART NO. TCB3000GAL-PE-90DIA, ST90DIA-15DEG

REV DESCRIPTION DATE APVD

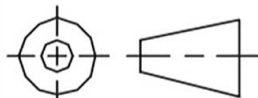
SCALE **NONE**

THIRD ANGLE PROJECTION

PART WEIGHT

550 LBS.

UDS DIMENSIONS ARE IN INCHES
 GENERAL TOLERANCES
 $\pm .5\%$ @ 68° F



SIZE
A

DWG NO. MTECB3000GAL-PE-90DIA -DT

REV