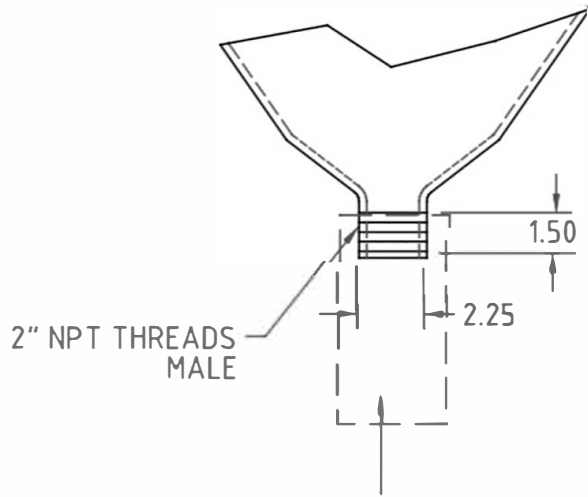


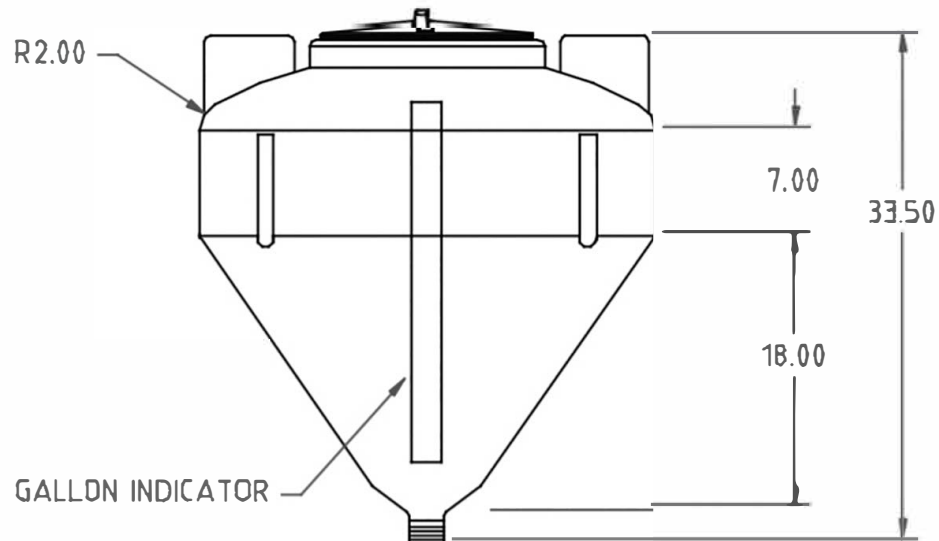
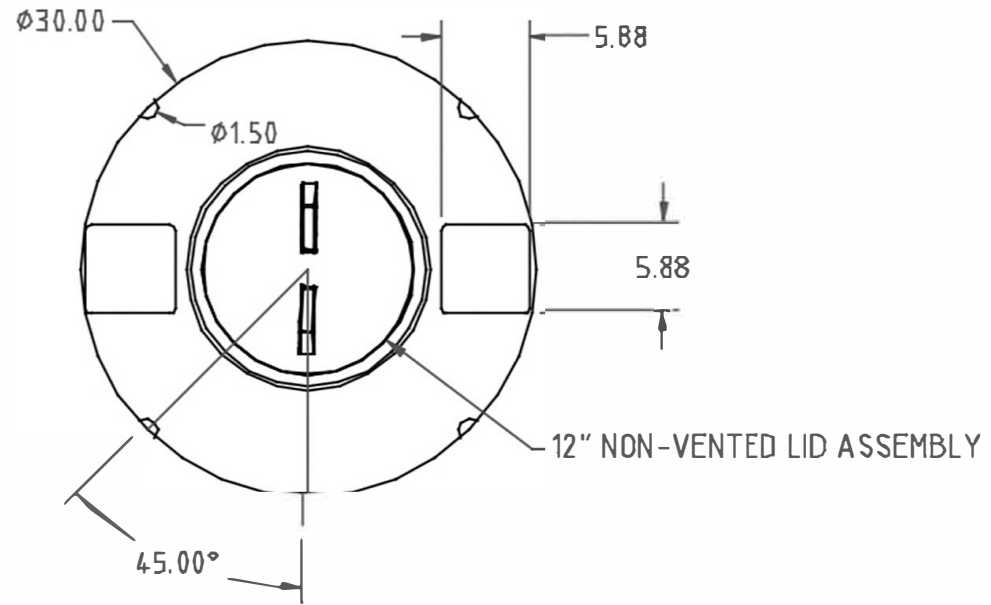
← GO BACK

MTECB40GAL-PE-30DIA-DT

OUTLET DETAIL



NOTE: FITTINGS, VALVES AND PIPE CONNECTED TO THE OUTLET THREADS MUST BE SUPPORTED.

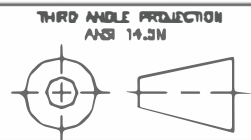


DRAWN / DATE	REH / 8/7/02
APPRD. / DATE	REH / 8/7/02

MATERIAL	26 LB. MOBIL 134
----------	------------------

REV	DESCRIPTION	DATE	APPRD.
A	CHANGE BOTTOM OUTLET	7/20/04	

ALL DIMENSIONS ARE IN DECIMAL INCHES  
TOLERANCES UNLESS OTHERWISE SPECIFIED  
± .5% @ 68° F



- NOTES:
1. NATURAL COLOR
  2. NOM. WALL .190



ChemIndustrial Systems, Inc.  
PO Box 500, Cedarburg, WI 53012

262-375-8570 • (Fax) 262-375-8559 • info@chemindustrial.com

SCALE N.S.

PART NO.  
MTECB40GAL-PE-30DIA-DT