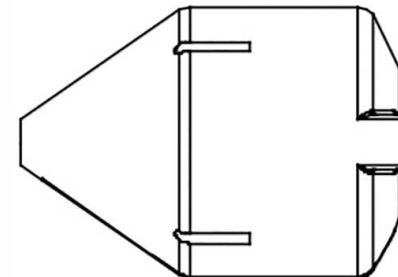
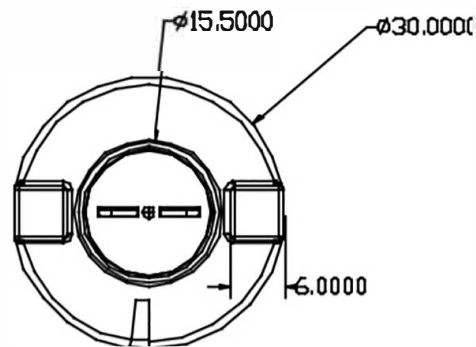
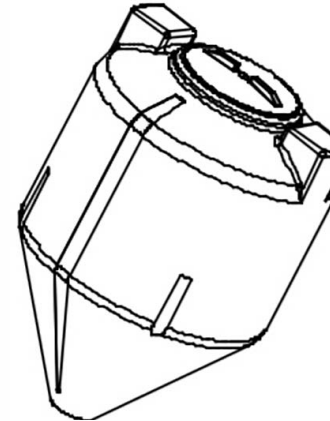
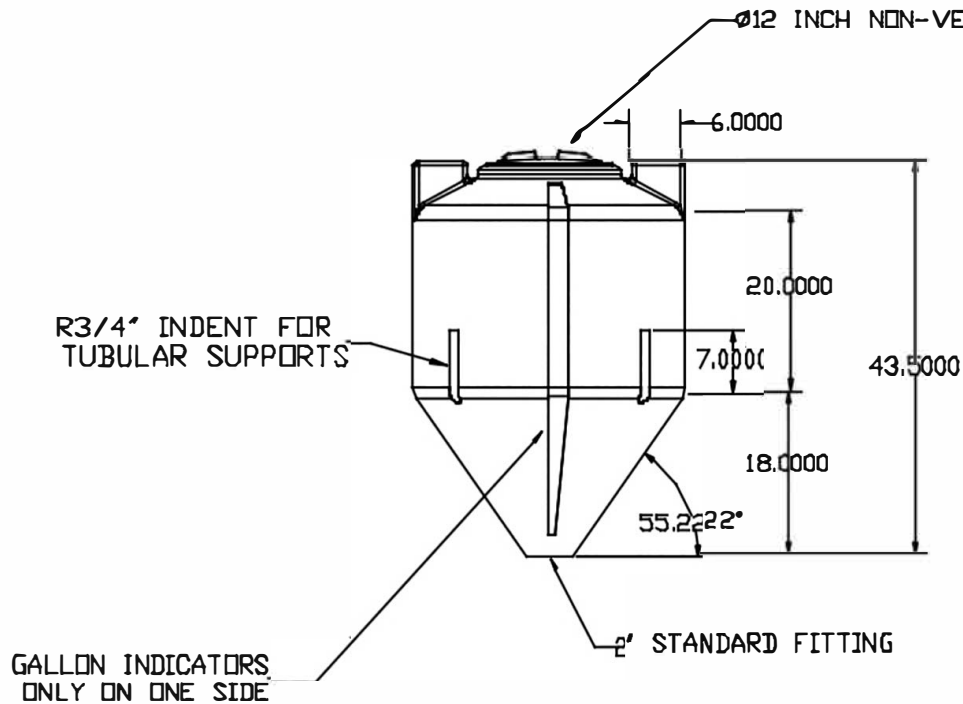


← GO BACK

MTECB85GAL-PE-30DIA-DT



				DRAWN / DATE NVE 6/16/15	MATERIAL
				APPRD. / DATE DHJ 6/22/15	NOPE OR EQUIVALENT REFERENCE MATERIAL DATA SHEET FOR SPECIFIC PROPERTIES.
REV	DESCRIPTION	DATE	APPRD.		
ALL DIMENSIONS ARE IN DECIMAL INCHES TOLERANCES UNLESS OTHERWISE SPECIFIED ± 1% @ 68° F				THIRD ANGLE PROJECTION ANSI X1.5M 	NOTES: 1. NOM. WALL @ .231 2. WHITE OR YELLOW COLOR 3. SHDT WEIGHT 35 LBS.

CSI
ChemIndustrial Systems, Inc.
PO Box 500, Cedarburg, WI 53012
262-375-8570 • (Fax) 262-375-8559 • info@chemindustrial.com

SCALE N.S.	PART NO. MTECB85GAL-PE-30DIA-DT
---------------	------------------------------------